

Bering 65 Serge



JEFF MERRILL
YACHT SALES, INC.

3010 Old Ranch Pkwy, Suite 440, Seal Beach, CA 90740
+1 949.355.4950 | www.JMYS.com



SERGE

Asking: \$2,600,000.00 Location: Cruising Asia*

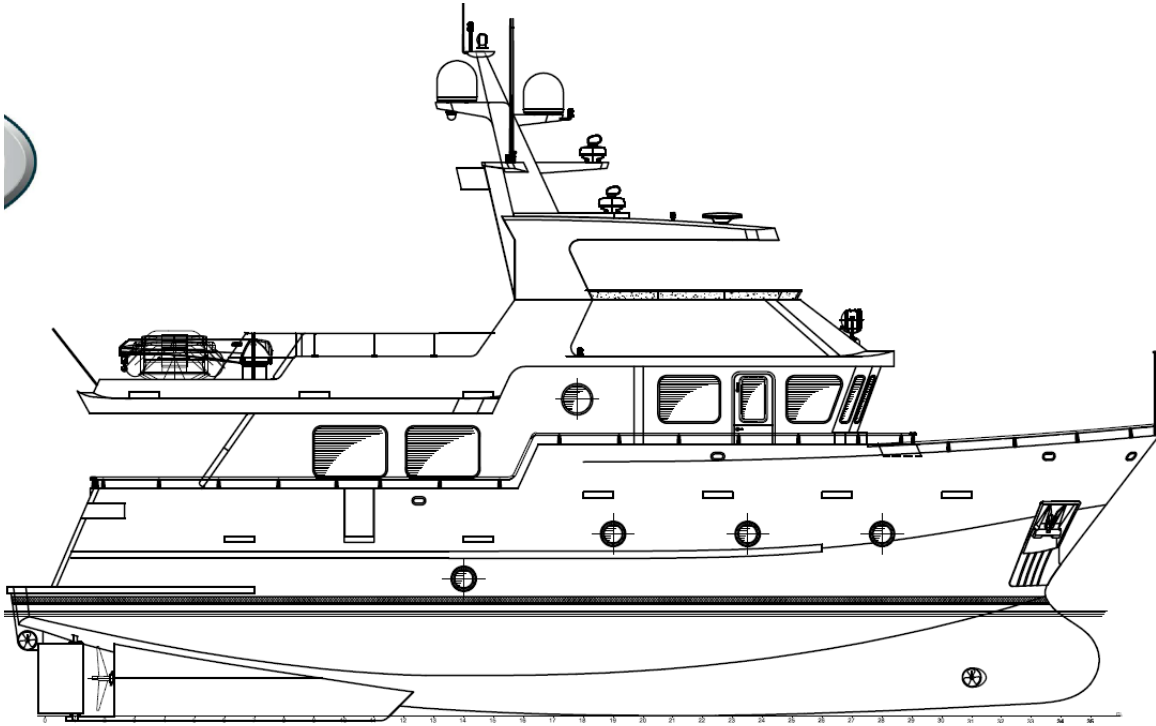
YouTube video: https://www.youtube.com/watch?v=WX_GA86b83o

Bering 65 Serge

NAME: *SERGE*
MODEL: **Bering 65** **LOCATION:** Cruising Asia*
LOA: 65'0" (19.78 M) **LWL:** 57' 4" (17.49 M)
BEAM: 20' 0" (6.00 M) **DRAFT:** 6' 1" (1.85 M)
DISPLACEMENT: 235,900 lbs. (107 metric Tons) **AIR DRAFT:** 32' 8" (10.00 M)
DESIGNER: Valeriy Savelyev with Bering Yachts **BALLAST:** 13,358 lbs. / 6,050 kg
HULL MATERIAL: A-36 Steel construction **BUILDER:** Bering Yachts – China
YEAR: Model year 2015
TYPE: Full displacement long range expedition trawler. Twin engine with fly bridge
COLOR: Alexseal - Pearl Gray **BOTTOM PAINT:** Black
STBD ENGINE: Cummins QSL 9 285 HP @ 1800 **ENGINE HOURS:** ~ 350
PORT ENGINE: Cummins QSL 9 285 HP @ 1800 **ENGINE HOURS:** ~ 350
EXHAUST: Wet
RANGE: 5,000+ miles @ 6.5 knots **SPEED:** Cruise 8, Maximum 10 knots
FUEL BURN: 1,200 RPM cruise at 8 knots, total of 7 gallons an hour
STATEROOMS: (3) - Master, VIP and Guest, all with ensuite head and shower
CREW: (1) Two single berths with shower/head
CLIMATE CONTROL: Cruisair chilled water air conditioning (102,000 BTU)
STABILIZATION: Seakeeper 35 gyro stabilizer
BOW THRUSTER: Side Power MTR – 300Kg hydraulic
STERN THRUSTER: Side Power MTR-300Kg hydraulic
WINDLASSES: (2) Atlantic VRC4000 – hydraulic
FREQUENCY CONVERTER: Asea AC15 shore power converter
INVERTERS: (3) Victron MultiPlus 5kW inverterchargers
GENERATOR 1: Onan MDKBL 9 kW (~500 hours)
GENERATOR 2: Onan MDKAD 17 kW (~650 hours)
HEADS: (4) Sea Land Master Flush 8689 freshwater toilets
TENDER: Canto RIB 390 (3.9M) Suzuki DT30 (30 HP)
TANKAGE: (approx.)
 FUEL: 4,500 gallons / 17,000 L
 WATER: 400 gallons / 1,500 L
 HOLDING: 260 gallons / 1,000 L
 GRAY: 260 gallons / 1,000 L

*Contract broker for current location and showing availability

Bering 65 Serge



INTRODUCTION:

Serge is shaken down, fully equipped and out cruising now. Her seller is so impressed with how well she came out that he has placed an order for a new Bering 77 which has already begun construction. If you would like to take advantage of stepping aboard an essentially new boat without waiting 18 months to build one this is an incredible opportunity. You can start cruising in Hong Kong, or take off to any destination you choose. If you are short on time, *Serge* could be loaded as deck cargo and be shipped to any major sea port in the world then offloaded and continue on to new adventures.

Serge – the quick summary is:

Flybridge, twin engine, four stateroom layout, double walk around side decks and galley up full displacement long range trawler. Noted features in include Seakeeper gyro stabilization, 42” square 5 blade propellers, Seatorque shafts, hydraulic thrusters and windlasses, water maker and an extensive Furuno navigation electronics package.

Her hull and superstructure are constructed with A-36 marine grade steel. The bottom plates have integrated tank bottoms for a double hull. The hull is divided by five watertight bulkheads creating six compartments. The flybridge hard top, mast and furniture are fiberglass to reduce weight aloft.

DESCRIPTION:

Serge has a generous swim platform with two outboard stairways up to her raised aft deck that is protected by the boat deck over hang. There is cockpit seating facing aft to enjoy the view.

Bering 65 Serge

Moving forward to starboard you walk beneath a covered side deck then ascend a flight of stairs to the Portuguese bridge. The Portuguese bridge leads to a spacious foredeck that has built in seating aft and two separate hydraulic windlasses outboard and forward to hoist twin pocket anchors. The ground tackle area is raised and easily accessed.

Back in the cockpit you can go forward outboard on either side, up a set of stairs to the boat deck and flybridge. Or, you may choose to enter the saloon.

Inside the saloon you will enjoy the well-designed window placement to give you an incredible view of your surroundings. The saloon has seating on both sides and a large built in dining table to port. There is a flat screen television and entertainment center forward to starboard. The port side features wine bottle storage. At the head of the saloon you can either descend a flight of stairs to the staterooms and machinery spaces or transition a flight of stairs up to the conjoined galley and pilothouse.

Up in the galley you have all of the cooking appliances and refrigeration you need for extended passages offshore. The galley is a wonderful place to prepare meals and has a forward divider that opens up to connect visually with the pilothouse. The galley has portlights outboard and looks down to the saloon. Forward the galley opens up to the pilothouse. When running after dark you can raise the partition and close the pocket door to isolate the galley from the pilothouse to preserve night vision in the helm area.

The pilothouse is very cleanly organized with a desk area outboard to port, helm chair on centerline and an incredible assortment of navigation and communication equipment neatly displayed forward. Electrical panel breakers and easy to reach control heads help insure a convenient place for the helm person to take command. Behind the helm is a raised settee with table for crew to sit back and enjoy the ride. You can go outside to port or starboard through Dutch doors.

Back in the saloon you go down a steep set of steps to reach the primary living deck area. Immediately to starboard is the Captain's cabin with two berths, a sink, shower and toilet. All the way forward is the master stateroom with King sized island berth on centerline with beautiful fir wood and Shoji screens. The master has an ensuite head and shower.

The VIP stateroom is to starboard and it features a large queen sized berth with a nice desk and ensuite head and shower.

Heading aft, outboard to starboard is the captain's stateroom with two bunks and a small desk plus combination shower/head. To port is the second guest stateroom with double bunks, desk and ensuite head and shower. There electrical hallway leads aft to the engine room.

All of the navigation and communications electronics are neatly arranged forward and above. From the pilothouse, you can go outside to the deck through sliding doors port and starboard or up a flight of stairs to the flybridge. The flybridge provides a commanding view, is covered and also features a same level boat deck behind which houses the tender. The interior features varnished Ash bulkheads, wall coverings plus teak soles in the living areas and granite counters and tile surrounds in the heads.

Jeff Merrill Yacht Sales, Inc. © 2017 All Rights Reserved www.JMYS.com

Bering 65 Serge

The engine room is very well laid out. The two Cummins mains are seated low in the gondola skegs. There is a sea chest forward on centerline. Both generators are stacked for incredible access, the headroom in the engine room is impressive. Aft of the engine room is the lazarette which houses the Seakeeper gyro outboard to starboard.

ACCOMMODATIONS & LAYOUT:

MAIN SALOON:

The Bering 65 design features a single level upper deck with the saloon, galley and pilothouse flowing on one level. The lower level features the staterooms and the engine room. Her side decks are up high off the water and covered overhead. She is a very dry boat underway and you are nicely protected when you are moving on deck.

The upper aft deck “cockpit” is a great outdoor space with chairs and a high off the water view. Forward to port there is a built in ladder that leads up to the boat deck. The main deck connects the cockpit to the foredeck by wide covered side decks port and starboard.

- All cabinetry and furniture is varnished ash veneer with solid ash corners.
- All interior bulkheads and doors are ash veneer with matte varnish finish.
- 1/2" thick engineering teak flooring.
- Wall to wall carpeting.
- The interior has 6'8" headroom throughout most of the boat.
- Diamond Seaglaze 1300 mm - wide weathertight French door to aft deck. Inside covered with varnished ash veneer.
- Staircase connecting lower deck and pilot house (via galley).
- Tinted 19 mm windows with pleated window blinds.
- Overhead panels are white microfiber cloth material.
- Dimmable LED overhead lights.
- LED wall lights.
- LED courtesy lights.
- Built-in ash cabinetry for media center featuring an ash frame for 46" flat screen LCD television
- L-shaped settee built-in on starboard side (with storage lockers under) with varnished teak dining table.
- Settee built-in on port side with storage lockers under.

Bering 65 Serge

- Vision Hi-Fi stereo system with tuner, AM/FM, CD player, sub-woofer and flush mounted speakers in overhead.
- Cruisair air conditioning units 18,000 BTU - AU18HVZ-FC-1.5KW7"MR 230V.

GALLEY:

The galley is forward and above the saloon and features lots of storage space in lockers and drawers. The Corian counter tops provide an expansive surface for meal preparation. There is a large basin stainless sink with a garbage disposal. The forward area of the galley features an electric partition to close off the pilothouse, or open up this area into one large connecting room. This is a spectacular galley for cooking and preparing food. There are plenty of overhead and under counter lockers, many with shelves, and an assortment of drawers.

- All cabinetry and furniture is varnished ash veneer with solid ash corners.
- 1/2" thick engineering teak flooring.
- Retractable partition between galley and pilot house, electrically powered.
- Tinted 19 mm windows with pleated window blinds.
- Overhead panels are white microfiber cloth material.
- All overhead lights are LED.
- LED courtesy lights.
- LED kickboard lights below the sink and oven.
- U-shaped galley table with cultured Corian counter top black color.
- Cupboards with doors and shelves are varnished ash veneer with solid ash corners.
- Abundant storage lockers and drawers for storing dishes and galley ware.
- Fisher & Paykel electric cooktop model CE604DTB1. Touch and slide control/frameless glass. Total (4) burners.
- Large stainless steel basin sink with GE garbage disposal model GFC1001F 1HP 230V, TOTO pull out retractable stainless steel rinsing faucet.
- Fisher & Paykel designer series dish drawer. EZ Kleen stainless steel.
- Double drawer, 14 place settings.
- Fisher & Paykel electric oven. Seven cooking function. Power: 3,000W. Triple glazed cool touch door. Capacity 60L. Telescopic runners. Stainless steel.
- Broan trash compactor model 15SS. 15" Compactor, flat stainless steel door, storage compartment and manual advance odor control system. 230V.

Bering 65 Serge

- Fisher & Paykel combination microwave oven model OM36NDXB1. Black glass finish.
- Isotherm Marine double drawer refrigerator model 190. AC/DC, 3 side stainless steel flange. All refrigerator, no freezer.
- Isotherm Marine Ice-maker. Stainless Steel, Spray type, 230V, 50Hz. 40 pounds of crystal clear ice per day.
- Martinn UV in-line sterilization water filter model MT-PC-6. 6 GPM.

PILOTHOUSE:

The operations center of Bering 65 is the forward wheel house where you are well above the water and protected by the Portuguese bridge that fronts it. The reverse raked windows are serious and purposeful. This pilothouse forward design is fantastic for looking ahead and seeing what is happening. The windows are all commercial strength and quality. The forward dash cabinetry is black to reduce glare and provides a very professional arrangement. The overhead console and dash console contain an impressive collection of instruments. There are two Dutch doors (port and starboard) that lead outside to the covered side decks. The captain enjoys a custom Llebroc helm chair and behind the helm area is a nice settee bench fronted by a fixed table, where captain and crew can enjoy lunch or just relax while having a cup of coffee. The settee includes stowage underneath.

Captaining *Serge* is incredibly easy. The helm is light to the touch and the visibility is astounding. You have a clear view of the outside world (while enjoying the comfort and protection of being inside the pilothouse) and equally as important you can easily do a visual check on all of the yachts electronics, electrical breakers and machinery control panels. The electrical panels are easy to reach with clearly labeled breakers and easy to read digital displays. Bering's attention to sound attenuation is perhaps best on display in the pilothouse with an incredibly low reading of 50 dB when underway at 1,200 rpm.

- 1/2" thick engineering teak flooring.
- All interior bulkheads and doors are ash veneer with matte varnish finish.
- (2) Diamond Seaglaze aluminum 575 series weathertight Dutch doors - port and starboard.
- Forward windows (5 front and two side) are 19 mm tempered glass.
- Side windows are tinted glass with pleated window blinds.
- Overhead panels are black microfiber cloth material.
- All overhead lights are dimmable LED.
- Array of red LED lights above the dash console.
- Amber lights above the chart table.

Bering 65 Serge

- Red LED courtesy lights.
- All pilot house cabinetry and furniture is varnished ash veneer with solid ash corners.
- The dash console and window frames are finished with varnished dark veneer wood.
- 30" diameter stainless steel destroyer steering wheel with wooden spoke inserts.
- LleBroc LX II helm chair with black leather and folding foot rest.
- L-shaped leather upholstered helm bench settee with varnished teak table.
- Full size chart table built in to forward port side of dash console.
- Dash console and forward overhead console comprises efficient layout of all the vessel electronics and machinery controls.
- Cruisair 24,000 BTU air conditioning unit.

NAVIGATION AND COMMUNICATIONS ELECTRONICS:

The dash controls have been logically organized to utilize the ships Nav/Com electronics. On the flat horizontal dash the main engine dual lever controls are easy to reach, as are the proportional controls for the bow and stern thruster. Since *Serge* was outfitted for long range cruising, the navigation and communications equipment is extensive as should be expected.

- (3) Furuno black box TZTBB system.
- (4) Hatteland HD monitors.
- (2) Furuno radar model DRS25A
- (2) Furuno antenna model XN13A/6 (6-foot open array).
- Furuno depth finder model DFF1 BB.
- (2) Furuno transducers.
- Furuno satellite compass model SC-30.
- Furuno converter for SC30.
- Furuno GPS receiver model GP33.
- Furuno GPS antenna receiver model GP330B.
- (4) Furuno data organizer model RD33.
- Furuno rudder indicator model FI506.
- Furuno multi display model FI-507.

Bering 65 Serge

- Furuno weather station instrument model 200WX.
- Furuno display wind instrument model FI501.
- Furuno transponder model FA 50 AIS Class B.
- Furuno sonar model CH270BB/312 - 180 KHZ
- Furuno second station display FAP7011C.
- Furuno rate heading sensor model PG 700
- Furuno pump model PUMPHRP05-24.
- Furuno converter CAN bus/NMEA2000 model IF-NMEA2K2
- (5) Furuno remote control units for NAVNET TZTouch model MCU002.
- Navpilot control unit, processor, rudder reference model 711C.
- (2) KVH TracPhone model V7-IP (empty dome/baseplate).
- KVH TracPhone model V3-IP KU-band antenna.
- KVH TracVision model TV3 w/IP-enabled TV-hub B-Linear.
- Iridium satellite phone standard package model Extreme 9575.
- (2) Icom VHF radio model M506-21, compliant to new FCC Class D DSC.
- (4) Icom hand held VHF radio model M88-01-5W (compact radio).
- Icom SSB radio model M802SSB.
- Icom tuner for the SSB radio model AT 140.
- True Marine DVD / Receiver model MS-AV700i
- True Marine receiver/media player with full iPod/iPhone control model MS-RA205
- (4) True Marine 5 channel marine amplifier model MS-DA51600 1600 Watt D Class.
- (4) Marine Internal 6" ceiling speakers model MS-CL602 120W.
- (4) True Marine 7" speakers model MS-FR7021 260 Watt. White/Black 2 grilles including.
- (4) True Marine 10" woofer model MS-SW10 400W.

Bering 65 Serge

LOWER DECK COMPANIONWAY:

- 1/2" thick engineering teak flooring.
- All interior bulkheads and doors are ash veneer with matte varnish finish. Overhead panels are white microfiber cloth material.
- Watertight door to master staterooms. Access to the washer and dryer compartment.
- Electrolux clothes washer model EWP85752. Time manager gentle wash system.
- Electrolux clothes dryer model EDP2074PDW. Intuitive advanced drying system.
- (2) hatches to main bilge compartment.
- Storage compartments under the stairs.
- Storage cabinets.
- Stairs to companionway with courtesy lights.
- All overhead lights are LED.
- LED courtesy lights.

MASTER STATEROOM:

The full beam master stateroom is all the way forward. It features a large king sized island berth running fore and aft for maximum comfort while underway (and it is an ideal arrangement for getting in and out of bed without being hemmed in). You enter the master from the hallway. Beneath the sole is a large Cofferdam storage area.

This stateroom is elegantly finished with varnished Ash and Japanese Shoji screens. There are plenty of lockers and drawers for clothing and other personal effects. The master berth has a custom queen sized mattress. The master connects to a large head and shower aft to port. The shower includes contemporary shower fixtures.

- All cabinetry and furniture is varnished ash veneer with solid ash corners.
- All interior bulkheads and doors are ash veneer with matte varnish finish.
- 1/2" thick engineering teak flooring.
- Wall to wall carpeting.
- Watertight door to the companionway.
- Second (ash) door to the companionway.
- Mirror on the entry door.
- Shoji screens are covering portholes on each side.

Jeff Merrill Yacht Sales, Inc. © 2017 All Rights Reserved www.JMYS.com

Bering 65 Serge

- Overhead panels are white microfiber cloth material.
- All overhead lights are dimmable LED.
- LED courtesy lights.
- (2) LED reading lights over the bed.
- Queen-size bed with drawers under.
- Large wardrobe.
- Night stands with drawers.
- Corner chairs are fixed.
- Cruisair air conditioning unit - 12,000 BTU.
- Hatch to the cofferdam. Huge storage space under sole.

MASTER HEAD:

- All cabinetry and furniture is varnished ash veneer with solid ash corners.
- Ceramic tile floors.
- Ceramic tile walls.
- ThermoSoft electric floor heating with control unit.
- Overhead panels are fiberglass.
- Ash door from the master room.
- Porthole with pleated window blinds.
- All overhead lights are LED.
- LED courtesy lights.
- Vanity with Corian counter top.
- Ceramic sink with TOTO DL344 faucet.
- Mirrors above the vanity.
- Shower cabin with glass door.
- Drawer for shampoo, towels, etc.
- SeaLand (Dometic) MasterFlush 8689 electrical fresh water toilet with bidet.
- Electric towel dryer. Dometic exhaust ventilation.

Bering 65 Serge

GUEST STATEROOMS:

Serge is configured with the two guest staterooms and a Captain's cabin on the lower level. You get to the lower level from the front of the saloon.

STARBOARD VIP STATEROOM:

The VIP stateroom is to starboard. It features a spacious queen size bed and a nice working desk. The head and shower are ensuite.

- All cabinetry and furniture is varnished ash veneer with solid ash corners.
- 1/2" thick engineering teak flooring.
- Wall to wall carpeting.
- All interior bulkheads and doors are ash veneer with matte varnish finish.
- Stainless steel porthole with pleated window blinds.
- Japanese screens are covering porthole.
- Overhead panels are white microfiber cloth material.
- All overhead lights are dimmable LED.
- LED courtesy lights.
- LED reading lights.
- Queen size bed.
- Storage drawers under bed.
- Large wardrobe with mirror on inside door.
- Desk under porthole.
- Vimar electrical outlets with USB connections.
- Cruisair 9,000 BTU air conditioning unit.

VIP HEAD:

- All cabinetry and furniture is varnished ash veneer with solid ash corners.
- Ceramic tile floors.
- ThermoSoft electric floor heating with control unit.
- Ceramic tile walls.
- Overhead panels are fiberglass.

Bering 65 Serge

- Stainless steel porthole with pleated window blinds.
- All overhead lights are LED.
- LED courtesy lights.
- Vanity with Corian counter top.
- Ceramic sink with TOTO DL344 faucet.
- Mirrors above the vanity.
- Shower cabin with glass door.
- TOTO model 58332 shower.
- Drawer for shampoo, towels, etc.
- SeaLand (Dometic) MasterFlush 8689 electrical fresh water toilet with bidet.

PORT GUEST STATEROOM:

- All cabinetry and furniture is varnished ash veneer with solid ash corners.
- All interior bulkheads and doors are ash veneer with matte varnish finish.
- 1/2" thick engineering teak flooring.
- Wall to wall carpeting.
- Stainless steel porthole with pleated window blinds.
- Japanese screens covering porthole.
- Overhead panels are white microfiber cloth material.
- All overhead lights are dimmable LED.
- LED courtesy lights and reading lights
- Queen size bed.
- Pullman bed.
- Storage drawers under bed.
- Large wardrobe with mirror on inside door.
- Desk under porthole.
- Vimar electrical outlets with USB connections.
- Cruisair 9,000 BTU air conditioning unit -

Bering 65 Serge

PORT GUEST HEAD:

- All cabinetry and furniture is varnished ash veneer with solid ash corners.
- Ceramic tile floors.
- Stainless steel porthole with pleated window blinds.
- ThermoSoft electric floor heating with control unit. Ceramic tile walls.
- Overhead panels are fiberglass.
- All overhead lights are LED.
- LED courtesy lights.
- Vanity with Corian counter top.
- Ceramic sink with TOTO model DL363-1 faucet.
- Mirrors above the vanity.
- Shower cabin with glass door.
- Drawer for shampoo, towels, etc.
- SeaLand (Dometic) MasterFlush 8689 electrical fresh water toilet with bidet.
- Dometic exhaust ventilation.

CAPTAIN'S CABIN AND HEAD:

- All cabinetry and furniture is varnished ash veneer with solid ash corners.
- All interior bulkheads and doors are ash veneer with matte varnish finish.
- 1/2" thick engineering teak flooring.
- Stainless steel porthole with pleated window blinds.
- Overhead panels are white microfiber cloth material.
- All overhead lights are dimmable LED.
- LED courtesy lights.
- LED reading lights.
- Queen size bed along hull side
- Pullman fold down bed outboard.

Bering 65 Serge

- Storage drawers under bed.
- Wardrobe with mirror on inside door.
- Desk.
- Sink with faucet under table top.
- Cruisair 9,000 BTU air conditioning unit.
- Head floor, walls and ceiling are fiberglass white color.
- Two overhead lights in head are LED.
- Drawer for shampoo, towels, etc.
- SeaLand (Dometic) MasterFlush 8649 electrical fresh water toilet with bidet.
- Dometic exhaust ventilation.
- Folding shower door.

ELECTRICAL HALLWAY:

- Electrical room access via staircase from lower deck.
- Crew cabin access via wood door.
- Engine room access via watertight door.
- Electrical room insulated with composite material per Bering Yachts drawings.
- All interior bulkheads and doors are wood veneer with matte varnish finish.
- 1/2" thick engineering teak flooring.
- Orion 24/12-25A DC-DC converter.
- (3) Victron MultiPlus 5kW inverterchargers.
- Victron Phoenix Charger 12/30.
- (12) 4-D 240 AH Vision batteries for house system and nav/com electronics.
- Primary distribution 230V AC and 24 V DC electrical panels.
- Battery cutoff switches.
- SeaLand DTM12 fresh water tank level monitor. Monitors the level in the fresh water, gray water and black water tanks.
- Electrolux side-by-side refrigerator with freezer.

Bering 65 Serge

ENGINE ROOM:

The engine room is located below the main saloon and is primarily accessed through the lower level hallway on the port side. It is extremely well laid out and easy to move around in. It is a pleasure to conduct engine room inspections; you have convenient access to the working parts of the main engines and all other important machinery.

Twin Cummins QSL 9's mounted inside the generous gondola skegs, keeping weight low and allowing for a straight horizontal shaft alignment for maximum thrust. The generators are stacked on centerline. All of the systems are logically installed and easily accessible. There is a tall, proper sea chest forward on centerline

- Engine room access via watertight door from electrical hallway.
- Lazarette access via watertight door.
- Engine room insulated with 4" thick composite material per Bering Yachts drawings.
- Aluminum perforated panels for the ceiling and walls in the engine room and lazarette.
- Soundproof fiberglass flooring with anti-slip surface.
- Engines exhaust pipes wrapped and finished with Pyrotek carbon fiber covers.
- Two Cummins QSL 9 285 HP @ 1800 rpm continuous duty rated, raw water, heat exchanger cooled with wet exhaust. 24V electrical. Combined total power of 570 HP.
- (2) Centek vertical combo-sep mufflers with De Angelo exhaust mixers. Exhaust outlets on port and starboard sides of the hull.
- Main engines installed on soft engine mounts model 1600-3 with weight adjusters.
- Reverso GP-3014-24 (4 valves 24V) oil change system for engines and generators.
- Cummins engines equipped with Racor 75/1000 dual filter/separators using 30-micron filter elements and including vacuum pressure gauges.
- Alfa-Laval MIB-303 solids retaining centrifugal separator (200 GPH capacity). Internal paring disc (clean fuel discharge pump) with electric motor 230VAC single-phase. Separate feed pump/motor 230 VAC single-phase, control panel complete with VFD, pre-wired for optional alarms. (2) stainless steel flexible hoses, funnel for water addition with quick disconnect. Non-return valve, T-pipe coupling, nipple, outlet piece with pressure gauge and flex hoses. Water tank with level and seal alarm. Chrome plated hood, strainer for oil feed line. Pressure switch kit. Emergency stop box.
- Reverso fuel polishing and transfer system - 210 GPH, Series - 'S' Class, marine version, 7-day digital timer, 230 Volt, 50 Hz, with fuel conditioner.
- Desmi GP33EM 480 gallon/hour auxiliary fuel transfer pump.

Jeff Merrill Yacht Sales, Inc. © 2017 All Rights Reserved www.JMYS.com

Bering 65 Serge

- (2) "Day Tank" fuel tanks. Total capacity 300 gallons/1,130 liters.
- (2) visual fuel gauges on "day tanks".
- Reverso MA-6 fuel intake manifold with Parker 1/2" fuel hoses.
- Reverso MA-6 fuel outflow manifold with Parker 1/2" fuel hoses.
- Reverso MA-4 aluminum fuel feed manifold with 1/2" valves and Parker fuel hoses to each engine and generator.
- (2) ZF W325-1 marine transmissions with 3.95:1 reduction gear - clockwise rotation (right handed). Includes live PTO and load sense pump (130CCM, SAE-CC).
- Reverso GP-3012-24 (2 valves 24V) oil change system for gear boxes.
- (2) Seatorque ST-250 shafts.
- (2) Onan 22.5 kW 230V 50Hz four cylinder generators enclosed in sound shields installed in engine room. Wet exhaust mufflers with exhaust separators.
- Onan generators equipped with Racor 1000 fuel filter/separators using 30-micron filter elements and including vacuum pressure gauges.
- Victron Skylla TG 24/50 charger (230VAC/45-65Hz).
- (2) 4D 240AH Vision AGM batteries for the engines start with crossover switch. Connected in series for 24 VDC.
- (2) 4D 240AH Vision AGM batteries for the generators start with crossover switch. Connected in series for 24 VDC.
- Spot Zero fresh water purifier model 3000 SZ3000ZWM.
- Sea Xchange 30V SX2200Z 2200 gallon/9,000 liters a day watermaker.
- Sea chest integrated to the hull. Sea water intake with (2) Groco 2" strainers for engines, (2) Groco 1" sea water intakes for generators, (1) Groco 1½" for air conditioner, (1) Groco 3/4" for watermaker.
- (2) Headhunter fresh water pumps XR-124 24V, 45 PSI, 16 gallons/60 liters per minute. 26 gallons/100 liters HeadhunterPT-102 accumulator pressure tank.
- Reverso MA-6 cold water manifold with valves.
- Reverso MA-6 hot water manifold with valves.
- (2) Raritan 20-gallon marine water heaters.
- Cruisair central chilled water system – total capacity 102,000 BTU with reverse cycle heating. Auxiliary electric heaters

Bering 65 Serge

- Cruisair air conditioning unit 12,000 BTU - 12,000 BTU AU12HVZ-FC-1.5KW6"MR 230V.
- (2) Dometic centrifugal fans FC-3-24, 3" inlet and outlet, 24VDC for independent exhaust ventilation systems from heads - one on Starboard side and the other on the Port side.
- (2) Dometic centrifugal fans FC-3-24, 3" inlet and outlet, 24VDC both for intake ventilation engine room.
- (2) Dometic centrifugal fans FC-3-24, 3" inlet and outlet, 24VDC both for outflow ventilation engine room.
- SidePower hydraulic unit.
- (2) SidePower SMERR-130-CC4 hydraulic pumps (130CCM, SAE-CC, right (clockwise rotation)) mounted on main engines.
- (4) Johnson bilge pumps - 2,200 gal/hour.
- (4) Ultra SR automatic bilge pumps switches with built-in isolated high water alarm switch (at 3").
- Work bench with sink.
- Storage shelves.
- Storage cabinets.
- 230V AC fluorescent and 24V DC LED lights.
- Fireboy Xintex automatic deployment fire suppression canisters.

INSULATION:

- Engine room insulated with 4" composite insulation per Bering Yachts drawings.
- Aluminum perforated panels installed on the ceiling and walls in the engine room and lazarette.
- Aluminum perforated panels installed on the wall of tanks in cofferdam.
- Engines exhaust pipes wrapped and finished with carbon fiber covers.
- Sound insulation barrier installed between the engine room and living quarters.
- All bulkheads, ceilings and hull sides have acoustic and thermal insulation.
- All insulation materials are fire resistant.

Bering 65 Serge

LAZARETTE:

The lazarette can be accessed from the aft end of the engine room or by opening up the Freeman hatch in the upper aft deck. This is very well organized machinery space with good access to all of the equipment. The Seakeeper gyro is outboard to starboard. The steering system is aft.

- Freeman series 2400 flush deck aluminum hatch (30" x 30") access from cockpit to lazarette with flat top and yoke hinge.
- Lazarette insulated with 4" thick composite material per Bering Yachts drawings.
- Aluminum perforated panels installed on the ceiling and walls.
- Seakeeper stabilizer system, model Seakeeper 35
 - Rated Speed - 5,150 RPM
 - Angular Momentum at Rated RPM - 35,000 N-M-S
 - Anti-Rolling Torque at Rated RPM - 73,000 N-M
 - Spool-up Time to Rated RPM - 65 minutes (5,150 RPM)
 - Spool-up Time to Stabilization - 45 minutes (4,380 RPM)
 - Weight - 1778 kg (3920 lbs.) bolt-in installation
- Kobelt hydraulic power steering system - model 7065.
- Aluminum hydraulic oil reservoir and stainless steel manifold with valves.
- Emergency tiller in the lazarette.
- Kobelt rudder position sensors.
- SidePower MTR-300Kg (660 Lb.) hydraulic stern thruster.
- Cablemaster CM-7 63 Amp 24VDC shore cord managers.
- (2) 63 Amp 120V/240V 30-meter shore power cords in Cablemasters.
- (2) 63 Amp shore power breaker boxes.
- Marine isolation transformer 16 KVA/230V/50Hz.
- Asea AC15 shore power converter. Input: 1Ph, 170-520VAC, 40-70Hz. Output: 1Ph, 230VAC, 50Hz.
- (2) Johnson bilge pumps - 2,200 gal/hour.

Bering 65 Serge

- (2) Ultra SR automatic bilge pumps switches with built-in isolated high water alarm switch (at 3").
- LED lights 230V AC and 24V DC.
- Cruisair air conditioning unit 9,000 BTU - AU9HVZ-FC-1KW6"MR 230V.
- Miele freezer model BC/BD-226 AZB. Capacity 226L/50kg.
- Fireboy Xintex automatic deployment fire suppression canisters.

EXTERIOR:

DECK AREAS:

The Bering 65 is very protected when moving about on deck. The foredeck and boat deck feature appropriately sized railings with a robust stainless steel railing all around. The Bering 65 profile is by design very high off the water keeping sea water and waves mostly off the deck. The upper aft deck/cockpit is well above the waterline and has is covered overhead by the large extended boat deck. This cockpit area is a great place to relax when docked or at anchor.

The side decks surrounding the saloon and wheelhouse are covered overhead from the cockpit up to the pilothouse and are wide with good height railing for easy access fore and aft. The foredeck provides for an easy anchoring system and includes built in seating forward of the Portuguese bridge making this another outside area you will enjoy spending time.

The flybridge is very large and a wonderful place to operate the boat from. It has a fiberglass hard top that provides shade and protection from the elements.

The dinghy and outboard are mounted on the boat deck on the same level as the flybridge.

RAISED AFT DECK (COCKPIT)

The cockpit is a great place to relax when at anchor. The boat deck above covers the entire area so you are shaded from the sun and protected from rain.

There is a stairwell forward to port that leads to the boat deck / flybridge from the cockpit. The teak decks are glued. The aft station is set up for fishing and includes an emergency fire pump.

The height of the decks above the water helps insure a very dry boat. The aft deck includes a seating bench to view your surroundings. There is a built-in console aft with sink. The boat deck above provides added protection from the weather. This is a great area to fish from and has some incredible capstan benches with warping winches providing great versatility when docking.

- Teak decks.
- 44" high stainless steel 2" safety rails.
- Sidepower MTR-300Kg (660 Lb.) hydraulic stern thruster

Bering 65 Serge

- (4) heavy duty bollards mounted on the aft deck. Two stainless steel hawse pipes with horn cleats mounted amidships port and starboard. All mooring components are polished stainless steel with chafe guards.
- (2) Muir VC2500 (1,200W 24V) electric rope capstans mounted in cockpit
- Freeman series 2400 flush deck aluminum hatch (30" x 30") access from cockpit to lazarette with flat top and yoke hinge.
- Fiberglass molded-in settees with storage beneath with matching varnished teak table.
- Fiberglass counter top with built-in sink and faucet.
- (2) Scandvik hot and cold fresh water shower boxes.
- Transom gates port and starboard at aft end of cockpit.
- (2) Glendinning Cablemaster shore power cord retrieving systems (Cablemaster Cm-7 63 amp with 100 feet/30 meters of cable each).
- Hella LED courtesy lights.
- Hella LED overhead lights.
- (7) Hella recessed LED flood lights.
- (6) stainless steel fishing rod holders at the transom.
- Firefighting pump inside aft console

SWIM PLATFORM:

Whether you arrive by tender or step from a dock to the swim platform this is a very well thought out aft section. The stern swim platform includes U rail staples a swim ladder as well as two outboard stairs that connect to the raised aft deck/cockpit area. There are aft deck boarding doors to port and starboard. For arriving by dinghy or for entering the water for SCUBA diving this is a true platform just above the water that is very spacious and easy to move around.

- Teak decks.
- Access from swim platform to cockpit via stairs to port and starboard.
- (4) 2" diameter, 3' tall, 316 stainless steel removable U-shape rails with self-draining stainless steel bases.
- Fresh water faucets.
- (4) 12" stainless steel fold-down cleats.

Bering 65 Serge

FOREDECK:

One of the best exterior areas aboard is the foredeck. This is a wonderful seating area with comfortable forward facing cushioned seats all well protected well above the water. The forward anchor and ground tackle area is raised with easy access to both chain locker compartments. You can get to the foredeck by going forward along either side deck. Forward of the Portuguese bridge is a built in seating area with storage underneath. The windlass and anchor rollers are all the way forward on a raised anchor platform that has Freeman hatches on top to access the chain.

- Teak decks.
- 44" high stainless steel 2" safety rails.
- 66" tall 1.5" diameter stainless steel ensign staff.
- Fresh water hose bib for wash down.
- Freeman series 2400 flush deck aluminum hatch (24" x 24") access to chain lockers with flat top and yoke hinge.
- (2) Atlantic VRC4000 hydraulic winches with on deck foot switches and remote controls at pilothouse. Digital chain counters with displays in pilothouse. Dual chain stoppers with tensioners. Stainless steel, grooved bow rollers.
- (2) 100Kg stainless steel anchors. Fitted using 316 stainless steel pockets - port and starboard.
- Divided chain locker with fresh water flush system, drains overboard.
- 400 Feet of 16mm zinc coated anchor chain per side. Rated for high working loads.
- 316 polished stainless steel bow protection plate.
- (3) Heavy duty stainless steel bollards.
- Portuguese bridge and settees (with storage lockers facing walkway).
- Sidepower MTR-300Kg (660 Lb.) hydraulic bow thruster

SIDE DECKS:

Moving around on deck is easy, safe and secure. The side coamings are up high and have rails mounted atop. The walkways are wide for each transitioning forward and aft.

- Teak decks.
- 44" high stainless steel 2" safety rails.
- Two stainless steel hawse pipes with horn cleats mounted amidships port and starboard.
- Vents for all fuel and fresh water tanks are located inside the bulwark.

Bering 65 Serge

- Central fueling station recessed into superstructure amidships on port side. This single fill location allows for convenient replenishment of all fuel tanks.
- Deck fill for fresh water tank on port side.
- Gray and black water pump-out station on port side.
- Stairs on port side from main deck to the boat deck.

BOAT DECK:

The boat deck is above the saloon and can be accessed by the aft deck stair well. The aft section which houses the dinghy and crane is divided by stainless railing. Forward are built in storage lockers. The tender is a 2016 model RIB with outboard. To launch the tender there is a rotating Steelhead crane.

- Teak decks.
- 44" high stainless steel 2" safety rails.
- 66" tall 1.5" diameter stainless steel ensign staff. Electric barbeque grill.
- Sink with folding faucet.
- Fresh water hose bib for wash down.
- Access to the boat deck from cockpit via stair.
- Steelhead ES-1500 four function hydraulic yacht crane with 12' reach and 1,500 lbs. lifting capacity with remote control.
- Canto RIB 390 (3.9M) Suzuki DT30 (30 HP)
- Custom dinghy cradle with tie down securing straps.
- (2) Ocean Master LR 8-person SOLAS life rafts installed, one to port, one to starboard.
- LED courtesy lights.

FLY BRIDGE:

This is a large full beam flybridge with all of the necessary controls and impressive visibility. The flybridge has a fiberglass hard top. The seating up here is spectacular and the forward port section makes into a very large bed for sleeping outside at night when enjoying a balmy anchorage.

- Teak decks.
- Access from the aft stairs that lead up to the boat deck.
- Fiberglass dash console.

Bering 65 Serge

- 30" diameter stainless steel destroyer steering wheel.
- LleBroc LX II helm chair with white leather and folding foot rest.
- Scupper drains for rapid evacuation of water overboard.
- Fiberglass molded-in settees with storage beneath.
- (2) teak folding tables in front of settees.
- (2) fiberglass counter tops with built-in sink and faucet.
- Fresh water wash down hose bib.
- Fiberglass hardtop roof with arch for mast.
- Stainless steel framed venturi windshield with dark Acrylic panels.
- Stylized fiberglass mast to support and mount navigation antennas, radar arrays, communication domes and lights.
- Carlisle & Finch 12-inch chrome searchlights. 110 VAC lamp with joystick (remote control) operation from the pilot house and on the flybridge.
- Forward and aft facing LED deck flood lights.
- (4) Aqua Signal 1,000W, halogen flood lights mounted aft, forward, port and starboard.
- LED courtesy lighting along walk way.
- Buell dual trumpet air horn.
- Fusion audio system MS-AV700i with four MS-DA51600 D class 5 channel marine amplifiers 1600 watts each.
- Hella NaviLED navigation lights.
- Hella NaviLED Anchor lights.
- Shakespeare PA / deck horn / hailer / PA speaker on arch.
- 44" high stainless steel safety rails.
- 66" stainless steel flagpole.
- Bering 65 name insignia signs mounted on both sides of the flybridge.

Bering 65 Serge

SERGE SYSTEMS AND EQUIPMENT SELECTIONS:

ELECTRICAL SYSTEM FEATURES:

- Entire AC and DC electrical system designed and installed in compliance with CE and ABYC electrical standards.
- 50-60Hz 230V AC power standard.
- 24V DC power standard.
- Orion 24/12-25A DC-DC converter.
- Primary distribution 230V AC and 24 V DC electrical panels, inverters, battery chargers, batteries and battery management panels are located in the electrical room.
- Secondary 230VAC, 24VDC and 12VDC panels are located in the pilot house and galley.
- All wires are labeled at each end.
- All wire connections are properly insulated.
- All electrical hardware is bonded to the hull.
- Dedicated circuit breaker for each circuit.

FUEL SYSTEM:

- (4) Main fuel tanks. Total 4,200 gallons/15,910 liters' capacity.
- (2) "Day Tank" fuel tanks. Total capacity 300 gallons/1,130 liters.
- (2) Trident 1" ventilation hoses of each tank.
- HeadHunter MO-3004 fuel level sentry four tanks monitor with analog sensor in each main fuel tank. Visual fuel gauges on two main tanks.
- HeadHunter MO-2000 fuel level sentry monitor with analog sensor in each day tank. Visual fuel gauges on each day tank.
- Reverso MA-6 fuel intake manifold with Parker 1/2" fuel hoses.
- Reverso MA-6 fuel outflow manifold with Parker 1/2" fuel hoses.
- Reverso MA-4 aluminum fuel feed manifold with 1/2" valves and Parker fuel hoses to each engine and generator.
- Reverso fuel polishing and transfer system - 210 GPH, Series - 'S' Class, marine version, 7-day digital timer, 230 Volt, 50 Hz, with fuel conditioner.

Bering 65 Serge

- Alfa-Laval MIB-303 solids retaining centrifugal separator (200 GPH capacity). Internal paring disc (clean fuel discharge pump) with electric motor 230VAC single-phase. Separate feed pump/motor 230 VAC single-phase, control panel complete with VFD, pre-wired for optional alarms. (2) stainless steel flexible hoses, funnel for water addition with quick disconnect. Non-return valve, T-pipe coupling, nipple, outlet piece with pressure gauge and flex hoses. Water tank with level and seal alarm. Chrome plated hood, strainer for oil feed line. Pressure switch kit. Emergency stop box.
- Desmi GP33EM 480 gallon/hour auxiliary fuel transfer pump.
- Central fueling station with stainless steel pipe connections and Trident 2" hoses to all four main tanks.
- Day tanks provide fuel feed for all engines and generators.
- Cummins engines equipped with Racor 75/1000 dual filter/separators using 30-micron filter elements and including vacuum pressure gauges.
- Onan generators equipped with Racor 1000 fuel filter/separators using 30-micron filter elements and including vacuum pressure gauges.

SEA WATER SYSTEMS:

- Engines and generators are sea water cooled with stainless steel sea cocks and Groco strainers.
- Sea chest integrated to the hull. Located in the engine room.
- Sea water intake with (2) Groco 2" strainers for engines, (2) Groco 1" sea water intakes for generators, (1) Groco 1½" for air conditioner, (1) Groco ¾" for watermaker.
- All through hull fittings and sea cocks are stainless steel.

AIR CONDITIONING SYSTEM:

- Cruisair central chilled water system – total capacity 102,000 BTU with reverse cycle heating. Auxiliary electric heaters
- TWCV2x4SRC-2 STG-230/1/50, two stage base, two stage PVC SW manifold, two stage copper CW manifold. Seawater pump is an ASY P700 230/1 3.75". Chilled water pump is an ASY P711 230-1P 1.5 HP.
- Cruisair air conditioning units:
 - Salon - 18,000 BTU AU18HVZ-FC-1.5KW7"MR 230V.
 - Pilot House/Galley - 24,000 BTU AU24HVZ-3.0KW 8"MR 230V.
 - Master Staterooms - 12,000 BTU AU12HVZ-FC-1.5KW6"MR 230V.

Jeff Merrill Yacht Sales, Inc. © 2017 All Rights Reserved www.JMYS.com

Bering 65 Serge

- Guest Staterooms (Starboard) - 9,000 BTU AU9HVZ-FC-1KW6"MR 230V.
- Guest Staterooms (Port) - 9,000 BTU AU9HVZ-FC-1KW6"MR 230V
- Crew cabin/Electrical room - 9,000 BTU AU9HVZ-FC-1KW6"MR 230V.
- Engine Room - 12,000 BTU AU12HVZ-FC-1.5KW6"MR 230V.
- Lazarette - 9,000 BTU AU9HVZ-FC-1KW6"MR 230V.
- (2) independent exhaust ventilation systems from heads - one on Starboard side and the other on the Port side using
- (2) Dometic centrifugal fans FC-3-24, 3" inlet and outlet, 24VDC.
- Engine room features intake and outflow blowers. (4) Dometic centrifugal fans FC-3-24, 3" inlet and outlet, 24VDC.
- Lazarette features intake and outflow blowers. (2) Dometic centrifugal fans FC-3-24, 3" inlet and outlet, 24VDC.

HYDRAULIC SYSTEM:

- SidePower integrated hydraulic system. Includes all necessary blocks, hoses and components to operate bow and stern thrusters, plus two windlasses.
- The integrated hydraulic system is driven by PTOs on the main engines.
- Sidepower hydraulic reservoir mounted in engine room.
- All hydraulic hose and fitting connections are secured with using high-pressure flexible hoses.

SHORE POWER:

- (2) Glendinning Cablemaster CM-7 63 Amp 24VDC shore cord managers.
- (2)63 Amp 230V 30-meter shore power cords in cablemasters.
- (2)63 Amp shore power breaker boxes.
- Marine isolation transformer 16 KWA/230V/50Hz.
- Asea AC15 shore power converter. Input: 1Ph, 170-520VAC, 40-70Hz. Output: 1Ph, 230VAC, 50Hz.

Bering 65 Serge

BATTERIES:

- (16) Vision 4D 240 Amp, deep cycle, 12 VDC. Total capacity is 3,840 Amp Hours.
- All starter batteries charged by (2) engine (60 Amps each) and (2) generator driven alternators (25 Amps each). Electrical system status controller Victron VE. Net Blue Power Panel 2 (BPP2) located in pilothouse.
- Victron BMV-702 battery display located in pilothouse.
- Victron Phoenix charger 12/30 for charging electronics backup battery.
- Victron Skylla TG 24/50 charger (230VAC/45-65Hz) for charging starting battery from generator or shore power.
- (3) Victron MultiPlus 5kW (24/5000/120-100 230V VE Bus) inverter/chargers for charging house battery bank from generator or shore power.
- (2) 4D 240AH Vision AGM batteries for the engines start with crossover switch. Connected in series for 24 VDC.
- (2) 4D 240AH Vision AGM batteries for the generators start with crossover switch. Connected in series for 24 VDC.
- (12) 4-D 240 AH Vision batteries for house system and nav/com electronics.
- All batteries covered with fiberglass caps.
- Battery cutoff switches located in the electrical hallway.

LIGHTING:

- All interior lights are 230V AC and 24VDC LED.
- Exterior lights (LED and Halogen) are waterproof to IP-67 standards.
- 230V AC fluorescent and 24V DC LED lights in engine room.
- (6) LED underwater lights. Two mounted outboard and four mounted aft, all below the swim platform

CONTROLS AND ALARMS:

- (2) Onan generators digital LCD displays mounted in the pilothouse dash, each with start/stop button.
- (2) Glendinning twin engine throttle controls in pilothouse and flybridge.
- (2) Cummins engine 7" color monitors mounted on pilothouse dash.
- (2) Cummins engine 4" color monitors mounted on flybridge dash.

Bering 65 Serge

- Racor fuel filters have pressure gauges and water alarms.
- (2) Kobelt manual hydraulic steering pump in the pilothouse and on the flybridge.
- Atlantic VRC4000 remote dual windlass control station with chain counter at pilothouse helm.
- (2) SidePower hydraulic bow and stern thrusters with proportional controls in the pilothouse and on the flybridge.
- All electric bilge pumps have manual/auto rocker switches.
- Bilge pump system display panel with "ON" indicators with bilge pump and high water sensor audible alarms.
- (5) Exalto windshield wiper controls in pilothouse. Exalto windshield washdown control in the pilothouse.
- Dometic watermaker digital control panel in the pilothouse.
- (2) Carlisle & Finch search light switches with pilothouse and flybridge controls.
- (2) Buell dual trumpet marine horn switch in the pilothouse and on the flybridge.
- (6) Headhunter analog fuel tank level gauges and (2) visual fuel gauges on each day tank.
- Dometic analog level gauge for fresh water tanks and visual water gauge on fresh water tank in cofferdam.
- Dometic analog gray water tank level gauge.
- Dometic analog black water tank level gauge.
- Fireboy FR-8000 central smoke alarm system with one monitor.
- Fireboy engine room fire alarm.

FRESH WATER SYSTEM:

- Built-in 400 gallons/1,500 liters' fresh water tank. Steel construction with baffles and inspection plate, coated with FDA approved enamel.
- Trident 1" water tank ventilation hose.
- Fresh water tank includes inspection hatch, sight gauge, shut-off valves, and Trident 1 1/2" hose water intake.
- (2) HeadHunter fresh water pumps XR-124 24V, 45 PSI, 16 gallons/60 liters per minute. 26 gallons/100 liters HeadhunterPT-102 accumulator pressure tank.

Bering 65 Serge

- Reverso MA-6 cold water manifold with valves located in the engine room.
- Reverso MA-6 hot water manifold with valves located in the engine room.
- Martinn UV in-line sterilization water filter model MT-PC-6.
- PPR color coded piping for fresh water lines.
- (2) Raritan 20-gallon marine water heaters located in the engine room.
- Spot Zero fresh water purifier model 3000 SZ3000ZWM located in engine room.
- Sea Xchange 30V SX2200Z 2200 gallon/9,000 liters a day watermaker located in engine room.

BLACK AND GRAY WATER SYSTEMS:

- SeaLand DTM12 fresh water tank level monitor. Monitors the level in the fresh water, gray water and black water tanks. Located in the electrical room.
- 260 gallons/1,010 liters integrated gray water tank with enamel coated interior to seal the steel tank and includes a level indicator. (2) Headhunter Vortex overboard macerator pumps: 3/4 HP pump (230V) and 3/4HP pump (24V), shore pump out.
- 260 gallons/1,010 liters integrated black water tank with enamel coated interior to seal the steel tank and includes a level indicator. (2) Headhunter Vortex overboard macerator pumps: 3/4 HP pump (230V) and 3/4HP pump (24V) for shore pump out. .
- (2) Trident 1½” ventilation hoses for each tank - Gray water and Black water. One vent on each side of the boat for cross flow circulation.
- PVC piping (D40mm) for Black and Gray water plumbing lines.

FIRE ALARM AND SAFETY SYSTEMS:

- Fireboy FR-8000 safety alarm monitor located in pilot house.
- Fireboy AP65-PESD-02-TB-R smoke detector system in each room.
- Fireboy CMD-4MR combination carbon monoxide (CO) in each room on lower deck.
- Fireboy Xintex automatic deployment fire suppression canisters in the engine room and lazarette.
- Remote control pull handle for manual deployment of Fireboy system in engine room and lazarette from cockpit.
- Fireboy system includes automatic shut off for engines, generators and air intake fans.

Bering 65 Serge

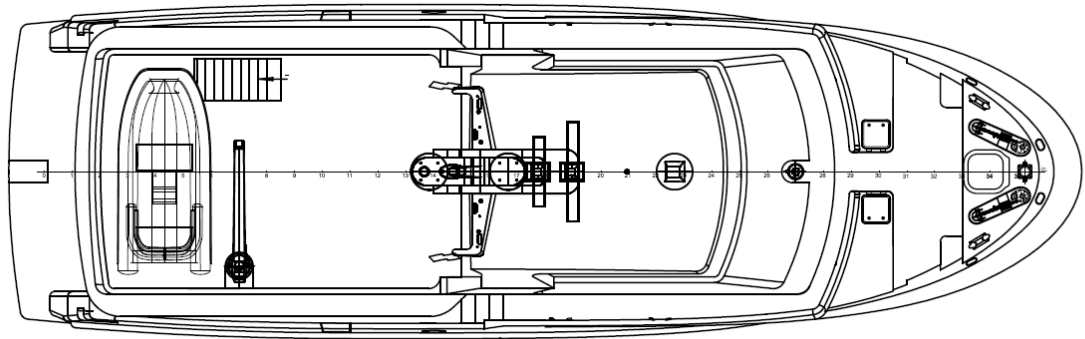
BILGE PUMP SYSTEMS:

- (12) Johnson 2,200 gallon/hour bilge pumps.
- Each bilge has an Ultra SR automatic high water alarm bilge pump switch installed.
- Forespar marelon vented loops, MF 839-11/4", on bilge pump discharge hoses.
- Bilge pump system display panel with "ON" indicators with bilge pump and high water sensors audible alarms.
- Desmi S50-32-135N/D07 electric self-priming centrifugal emergency bilge/fire pump. Motor with 1 phase 50 Hz, 3.6 kW.

MISCELLANEOUS:

- As-built Owner's manual in English. Includes descriptions and systems drawings.
- Set of Warranty Certificates.
- Set of manuals and certificates relating to materials and equipment.
- Tool box.
- Spare parts for equipment, supplied by manufacturers.

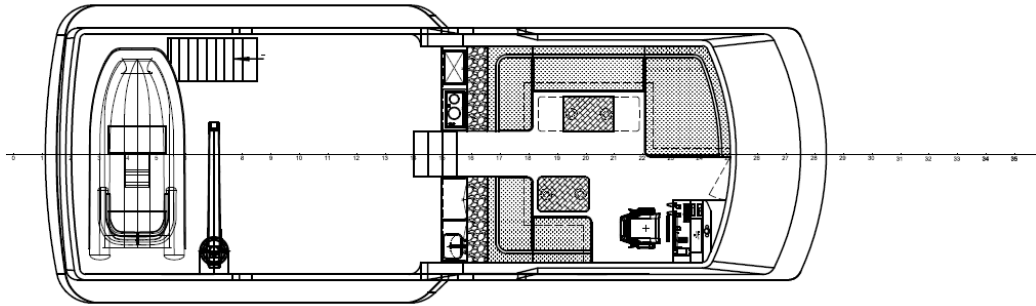
TOP VIEW



Top View

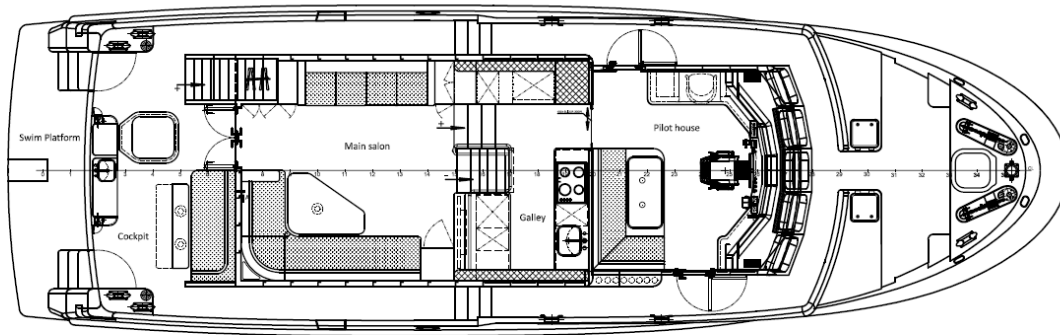
Bering 65 Serge

FLYBRIDGE / BOAT DECK



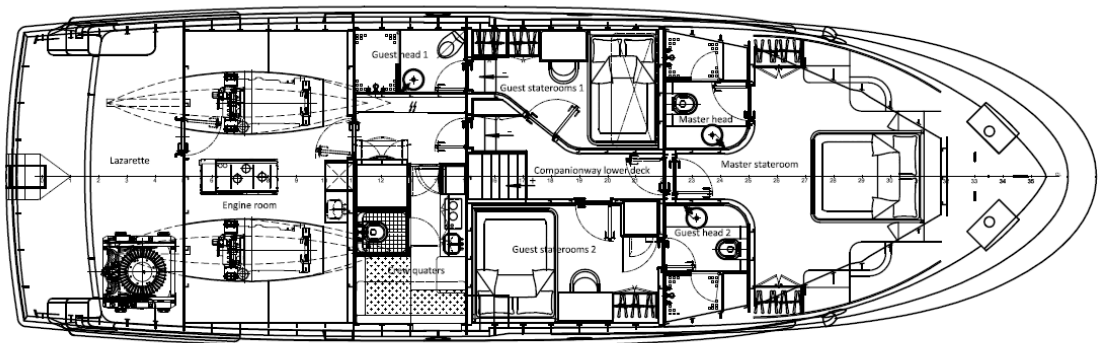
Flybridge/Boat deck

MAIN DECK



Main Deck / Swim Platform

LOWER DECK



Lower Deck

BROKER COMMENTS:

The listing broker flew to mainland China in August of 2015 to spend three days cruising aboard *Serge*. This Bering 65 glides through the water in a straight line and carries her momentum effortlessly. She is amazingly quiet and vibration free. The twin skegs incorporate the low mounted engines for efficient performance underway. The steering is surprisingly responsive,

Jeff Merrill Yacht Sales, Inc. © 2017 All Rights Reserved www.JMYS.com

Bering 65 Serge

finger touch balance that it virtually unheard of. Underway and at anchor she is a pleasure to spend time on, whether relaxing in the saloon – reading a book or watching television during dinner. The staterooms are comfortable and provide plenty of storage and room for belongings. The galley is easy to work in and its' connection to the pilothouse with the partition divider is spectacular. Driving her from either the pilothouse or flybridge is a true pleasure. Bering Yachts has worked hard over the last several years to reach the high level of quality standards that discerning buyers are looking for. In my opinion the 65 is a spectacular owner-operator trawler yacht that will safely transport her owners to virtually anywhere in the world.

You simply must step aboard *Serge* to fully appreciate her condition. Additional photos beyond those that are published online are available upon request.



EXCLUSIONS:

Some tools and owner's personal effects will be removed. Potential purchasers should realize that items on the vessel at the time of viewing, but not specifically listed on this sheet, may not be included with the sale of the yacht.

DISCLAIMER:

Specifications and details of this vessel are provided in good faith for informational purposes only. Details regarding the specifications, operating characteristics and condition of the vessel have been obtained from sources believed reliable, but the owner and brokers cannot guarantee or warrant the accuracy of this information or the condition of the vessel. Buyer assumes responsibility to verify all speeds, capacities, consumptions and other measurements contained herein and otherwise provided and agrees to instruct his/her agent or surveyor to confirm such details prior to purchase. Vessel is offered subject to prior sale, price and inventory changes and withdrawal from market without notice.

Bering 65 Serge

SALES CONTACT DETAILS:

Jeff Merrill, CPYB (Certified Professional Yacht Broker) has extensive product knowledge of the Bering Yachts in general and *Serge* specifically, providing a huge resource to any potential buyers which he is happy to share. Jeff will happily explain the many advantages that *Serge* has to offer and can also provide more photos and answer your specific questions upon request. Please contact listing broker, **Jeff Merrill, CPYB** for additional information or to schedule a viewing appointment to inspect *Serge*.

Jeff is always available via Mobile (949) 355-4950 (call or text). You can send a detailed Email to: Jeff.Merrill@JMYS.com.

Jeff Merrill, CPYB

Mobile phone: +1 949.355.4950 – call or text

Toll Free: 866.748.5419

Email: Jeff.Merrill@JMYS.com

Skype: jeff.merrill

Twitter: @merrillyachts

You Tube: Jeff Merrill Yachts

LinkedIn: jeff.merrill

Website: www.JMYS.com

Facebook: Jeff Merrill Yacht Sales

Instagram: jeffmerrilljmys

Certified Professional Yacht Broker

Licensed and Bonded in California and Florida.

Member California Yacht Brokers Association – President 2015 and 2016

Member Florida Yacht Brokers Association

Member Northwest Yacht Brokers Association

Member Yacht Brokers Association of America

